

HA-A



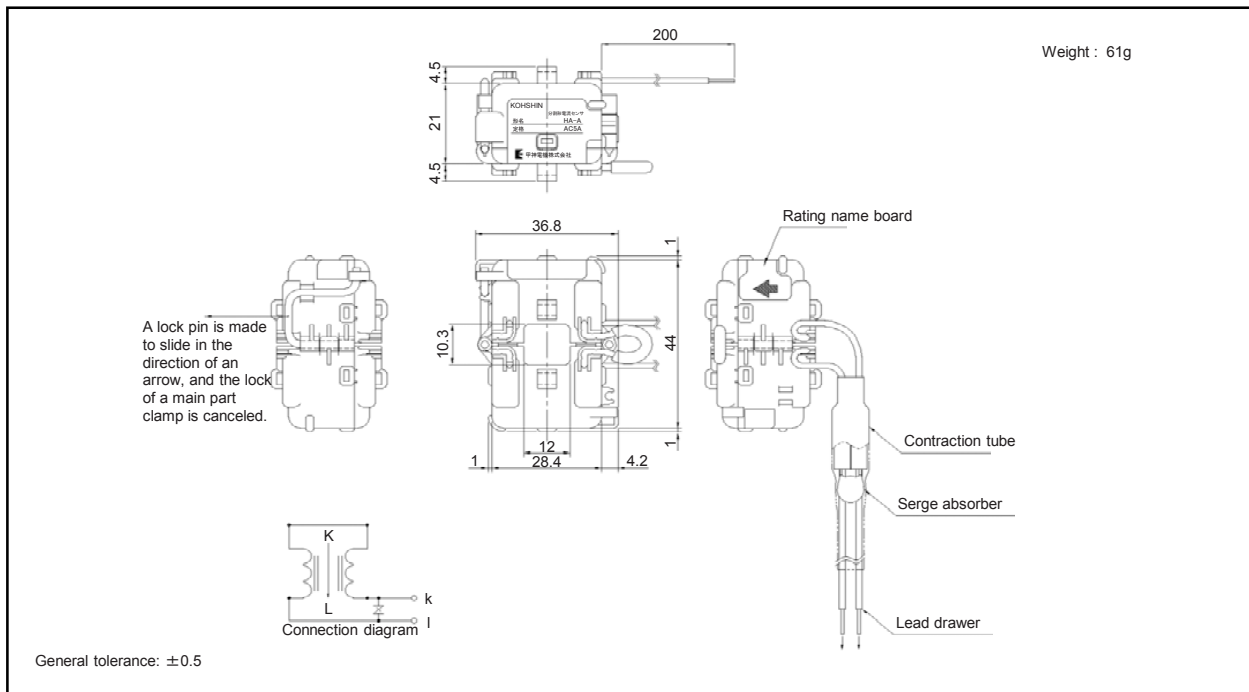
- Rated primary current 5A
- Most suitable for energy measurement which is more less dispersion in ratio error and phase displacement
- Symmetrical divided core prevents influence of external magnetic field
- Excellent frequency characteristics enabling pulse current measurement
- Simple mounting for exiting panel which is clamp type
- Internal output protection circuit

Applications

Energy measurement unit, Transmit detection of apparatus, Signal detection

Dimensions

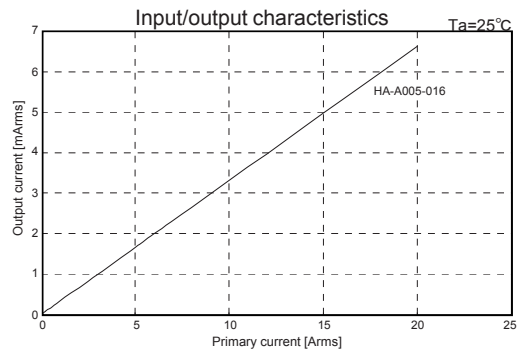
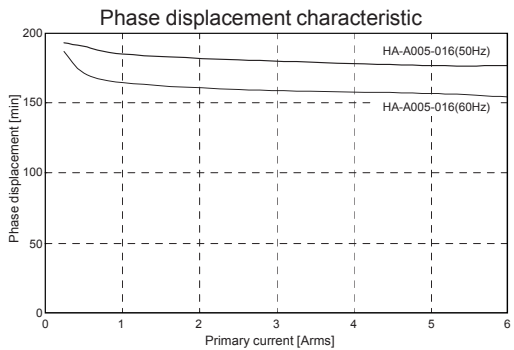
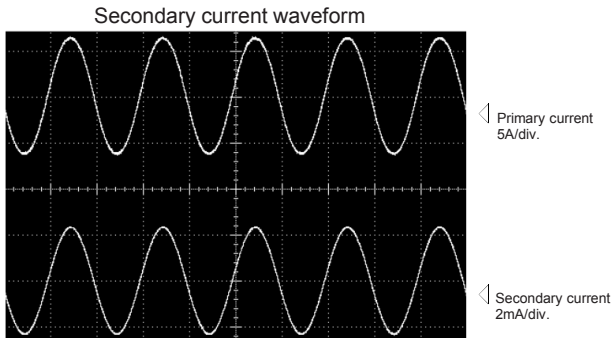
(mm)



Specification Ta=25°C

Type	HA-A005-016
Rated primary current [If]	5A
Measuring bound	0.25~5Arms
Frequency	45~65Hz
Saturation current [Is]	25A
Rated secondary current	1.67mArms
Ratio error	±1% (RL=200Ω)
Dispersion in phase displacement	±45minute (0.1If~If RL=200Ω) ±60minute (0.05If RL=200Ω)
Operating Temp.	-10°C~+55°C
Storage Temp.	-20°C~+60°C
Dielectric withstand voltage	1000V AC 1minute
Insulation resistance	Not less than 10MΩ 500V DC
Others	Internal output protection circuit

Characteristics chart HA-A005-016 Time base: 10ms/div.



Note: The marks "◁" means 0V or 0A.